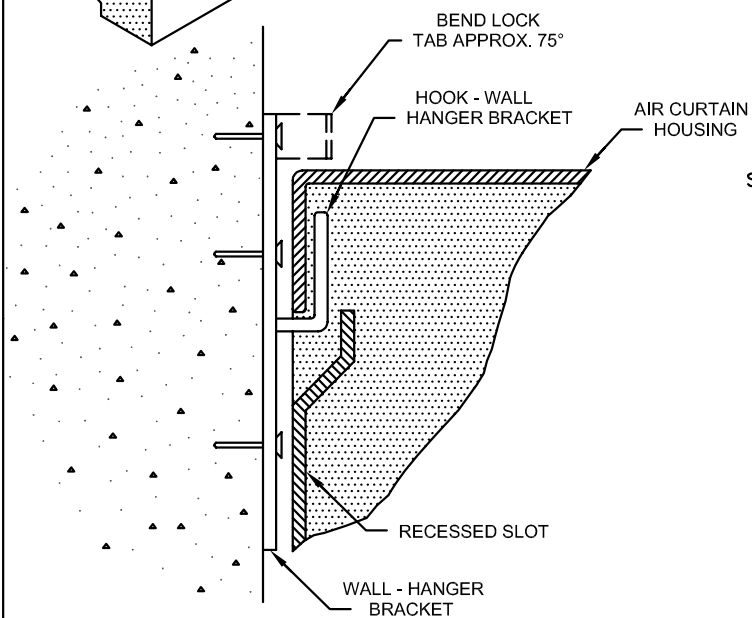
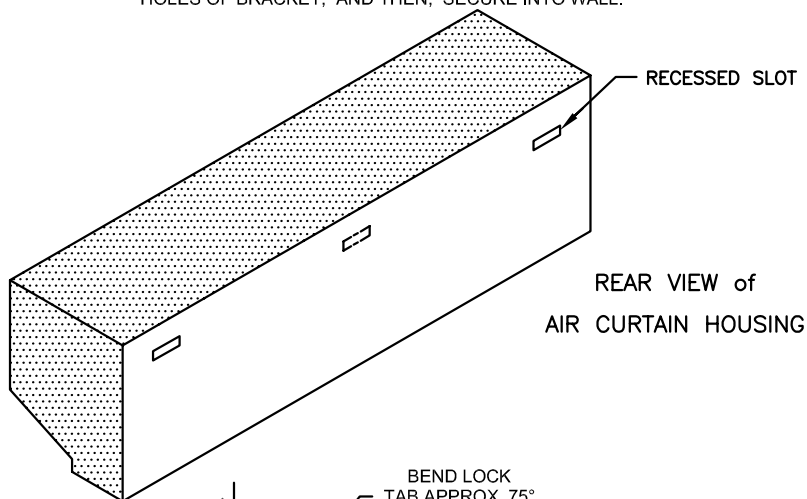


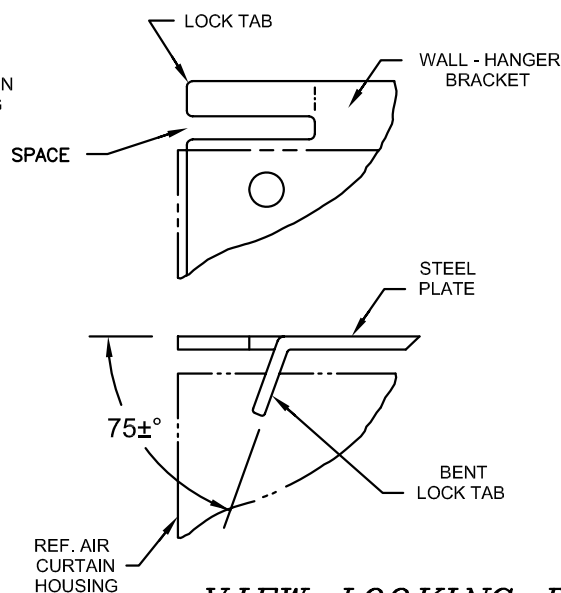
**FRONT VIEW
(INTERIOR SIDE)**

- 1 PLACE STEEL WALL HANGER BRACKET HORIZONTALLY OVER DOOR OPENING (INTERIOR SIDE OF BUILDING) AS SHOWN ABOVE; BE CERTAIN HANGER BRACKET IS CENTERED AND LEVEL; SHIMMING MAY BE REQUIRED - DEPENDENT UPON FIELD CONDITIONS; TRANSFER DRILL SCREW/BOLT HOLES FROM HANGER BRACKET INTO WALL ABOVE DOOR HEADER; INSERT SCREWS/BOLTS (TO BE PROVIDED BY INSTALLER) INTO MOUNTING HOLES OF BRACKET, AND THEN, SECURE INTO WALL.

- 2 LIFT AND HANG UNIT BY INSERTING BRACKET HOOKS INTO RECESSED SLOTS OF HOUSING (SEE DETAIL-A); SECURE UNIT BY BENDING LOCK TABS APPROXIMATELY 75° AT TWO (2) SIDES OF HOUSING (SEE DETAIL -B).
- 3 HOOK-UP TO THE ELECTRIC POWER SUPPLY, IF APPLICABLE, CONNECT STEAM OR HOT WATER COILS TO SUPPLY AND RETURN OF HEATING SYSTEM.



DETAIL - A



**VIEW LOOKING DOWN
DETAIL - B**